

WOOD BURNING STOVE SELF-INSPECTION FORM

(Please Complete and Keep this Form for Your Own Use)

SELF-INSPECTOR:

DATE:

PROFESSIONAL INSPECTOR:

DATE:

IF YOU HAVE OR PLAN TO INSTALL A WOOD BURNING STOVE, PLEASE USE THIS QUESTIONNAIRE TO INSPECT YOUR INSTALLATION. IF, AFTER COMPLETING THIS SELF-INSPECTION, YOU HAVE ANSWERED ANY QUESTIONS "NO", IT MAY BE APPROPRIATE TO TAKE IMMEDIATE CORRECTIVE ACTION TO ASSURE YOU HAVE A SAFE, PROPERLY USED INSTALLATION.

DURING YOUR INSPECTION, PLEASE CONSIDER THESE IMPORTANT FACTORS:

- * 1. YOUR WOOD BURNING STOVE INSTALLATION SHOULD CONFORM TO THE MANUFACTURER'S SPECIFICATIONS.
- * 2. MAKE CERTAIN YOUR INSTALLATION CONFORMS TO ALL LOCAL FIRE AND BUILDING CODES.
- 3. HAVE YOUR WOOD BURNING STOVE PROFESSIONALLY INSPECTED AND CLEANED A MINIMUM OF ONCE A YEAR.
- 4. CHECK YOUR SMOKE DETECTORS AND FIRE EXTINGUISHERS TO ASSURE THEY ARE KEPT IN WORKING ORDER.

* Note: If any of the specifications below conflict with 1. or 2. above, the specifications as determined by 1. or 2. above apply.

	YES	NO
1. WAS THE STOVE INSTALLED BY A PROFESSIONAL INSTALLER (SUCH AS A CONTRACTOR OR RETAILER)?		
2. WAS THE STOVE INSTALLATION INSPECTED AND APPROVED BY A FIRE OR BUILDING INSPECTOR?		
3. IS THE STOVE CHIMNEY AND/OR STOVEPIPE INSPECTED REGULARLY AND CLEANED AT LEAST ONCE A YEAR?		
4. IS THE STOVE THE ONLY HEATING DEVICE CONNECTED TO THE SAME CHIMNEY FLUE?		
5. IS THERE A MINIMUM CLEARANCE OF 36 (THIRTY-SIX) INCHES FROM ALL COMBUSTIBLES?		
6. ARE ONLY METAL CONTAINERS USED FOR ASHES?		

7. IF POSSIBLE, AVOID GOING THROUGH COMBUSTIBLE WALLS OR CEILINGS. IF THE CHIMNEY MUST PASS THROUGH A COMBUSTIBLE WALL OR CEILING, A THIMBLE MUST BE BUILT THAT IS WELL VENTILATED TO ALLOW AIR MOVEMENT. THE THIMBLE'S DIAMETER MUST BE AT LEAST 3 (THREE) TIMES THE DIAMETER OF THE STOVE PIPE (TO KEEP THE PIPE AWAY FROM COMBUSTIBLES). PREFERABLY, USE AN ALL-FUEL-STOP SPACER, THIMBLE, OR CONNECTOR INSTALLED IN ACCORDANCE WITH THE MANUFACTURE'S REQUIREMENTS. DOES THE STOVE CHIMNEY CONFORM TO THE ABOVE GUIDELINES?

YES NO

8. IS THERE A STOVE BOARD THAT IS AT LEAST 36 (THIRTY-SIX) INCHES IN HEIGHT WITH A 1 (ONE) INCH AIR SPACE FROM THE WALL TO THE BOARD?

YES NO

9. DOES THE STOVE REST ON A STOVE BOARD MADE OF 1/4 INCH ASBESTOS MILLBOARD COVERED WITH 28 (TWENTY-EIGHT) GAUGE SHEET METAL THAT IS 18 (EIGHTEEN) INCHES OUT FROM WHERE THE ASHES ARE REMOVED AND 12 (TWELVE) INCHES OUT FROM THE OTHER STOVE SIDES?

YES NO

10. IS THE CHIMNEY AT LEAST 18 (EIGHTEEN) INCHES TO THE CEILING OR INSTALLED SHIELDING?

YES NO

11. IS THE STOVE AT LEAST 36 (THIRTY-SIX) INCHES AWAY FROM COMBUSTIBLE WALLS OR OTHER COMBUSTIBLES?

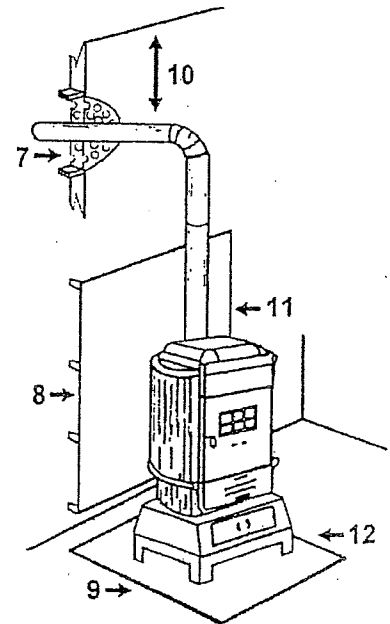
YES NO

IF "NO", IS THE STOVE AT LEAST 18 (EIGHTEEN) INCHES AWAY FROM COMBUSTIBLE WALLS OR OTHER COMBUSTIBLES BECAUSE A 28 (TWENTY-EIGHT) GAUGE SHEET OF METAL (OR 1/4 INCH ASBESTOS MILLBOARD AND/OR STOVE BOARD) ON 1 (ONE) INCH NON-COMBUSTIBLE SPACERS ARE USED?

YES NO

12. ARE ALL THE STOVE LEGS AT LEAST 4 (FOUR) INCHES LONG?

YES NO



NO. 15: